

500 bariatric

Outpatient surgery in XXL format.



OPHTHALMIC
SURGERY

Order No. 1500002

ADVANTAGES



- Rugged steel frame and highly resilient steel chassis
- Ideal proximity to the patients
- Three individually storable memory positions
- Power supply-independent battery box with integrated emergency stop button
- Optimum price-performance ratio
- Supports on the left and right for holding an extensive range of accessories
- With equipotential bonding connection



- Excellent movement characteristics thanks to double casters, 360° rotating
- Push handles on the head and foot ends
- High-grade, anti-microbial and seamless deep-drawn upholstery fabric
- Convenient maneuvering by a single person thanks to steering guide
- Two manual brake levers acting on four casters
- Easy maintenance and service



- 760 mm wide, sturdy covering for maximum comfort, anthracite 197 standard shade
- Smooth, rapid and direct approaching of the various positions and the adjustable sculptured headrest for high-precision patient positioning (even for patients suffering from Bechterew's disease)
- Removable armrests for maximum patient safety
- Mono lifting column designed for a maximum patient weight of up to 350 kg





Mechanic "Steering Guide" on the head and foot ends, operated via foot switch. Brake lever acting on 4 casters.



Removable foot keypad for infinite electronic height and head adjustment.



Patient-friendly and back-protecting patient shifting – with infinite adjustment from sitting to reclining position.



Manual keypad with 3 freely programmable memory positions and reset button.



Rugged heavy-duty chassis, 150 mm \varnothing casters, lockable in the direction indicated by the "Steering Guide".



760 mm wide upholstery.

EQUIPMENT



Extra-wide and sturdy covering.

Mono-lifting column designed for a maximum patient weight of 350 kilograms.

Rugged steel frame and highly resilient steel chassis.



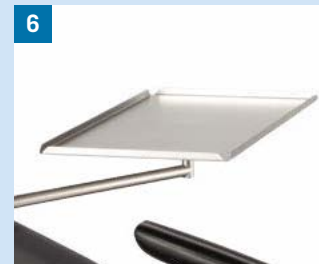
Available in a wide variety of colors. Please refer to Page 53 for our complete range of colors.

500 bariatric

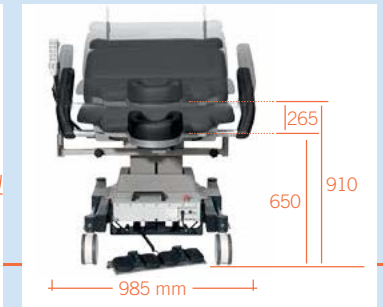
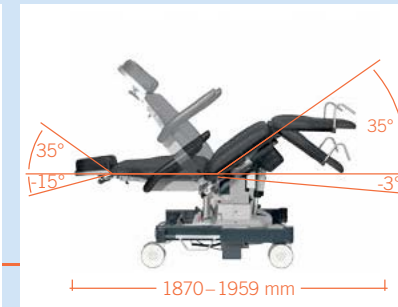
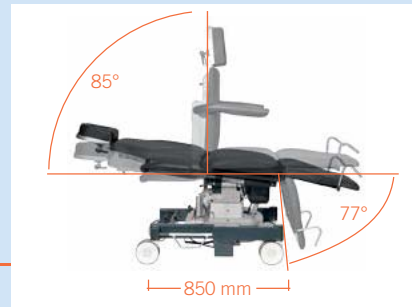


ACCESSORIES

1 FLEXIBLE SURGICAL DRAPE SUPPORT ROD without oxygen connection with oxygen connection	No. 32050000 No. 32060000	3 I.V. POLE stainless steel \varnothing 25/18 mm, one-hand height-adjustable 1070–1660 mm, 4 hooks, max. 2 kg 84.4 lbs/hook, glass and holder	No. 30680000	6 INSTRUMENT TABLE 50x30x1.5cm, height-adjustable, swiveling, detachable, incl. adapter	No. 30650000
2 HEAD PART BUMPER stainless steel	No. 30280000	4 BACKUP BATTERY	No. 30470000	7 SHOULDER PARTS right and left	No. 30710000
		5 ADJUSTABLE WRIST WREST incl. mounting plate	No. 30140000	8 PADDED ARM BOARD with universal joint, with wrist secure straps	No. 30780000



500 bariatric



SPECIFICATIONS

Chassis

- Frame profile 90 x 50 mm
- Zinc-plated and powder-coated according to RAL
- Central brake on both sides works on all four wheels. The direction of two wheels can be independently adjusted
- Double rimmed casters ø 150 mm
- Detachable foot keypad (total up/down, head up/down)
- Emergency stop button
- Visible screws are stainless steel

Lifting Column

- Max. lifting force 260 mm
- Max. patient weight 350 kg
- Motors IPX4 with reed contacts, to be memorized

Upper Frame

- 4-part support frame (head, back, seat, foot)
- Length 1,870–1,959 mm
- Width 760 mm
- Width incl. armrest 985 mm
- Access height 650 mm
- Removeable upholstery
- Tundra skai colors see color chart

	Max. Load	Angle	Dimensions (l x w)
- Head part	30 kg	-15°/+35°	300 x 250 mm
- Back part	125 kg	0°/+85°	610 x 760 mm
- Seat part	125 kg	-3°/+35°	450 x 760 mm
- Leg part	70 kg	0°/+77°	510 x 760 mm
- Height adjustment	350 kg		from 650–910 mm
- Armrests	30 kg ea.	0°/+180°	(2 x) 470 x 75 mm

Electronic Control

- All components according to IPX4
- Manual keypad with 3 individually programmable memory positions and reset button
- Foot keypad

Battery unit

- Battery box with 2 batteries (lead-gel), pollution free, maintenance-free, cadmium-free 2 x 12 V 7.2 Ah
- As back-up-system exchangeable without tools
- Acoustic low voltage signal for discharge protection
- Universal battery charger Input: 100-240 V, Output: 24 V

Operating Time Per Battery Charge

- Measured by operating circle (Prepare-Operate-Recover) 30 OPs
- Quantity of operating circles depends on individual operation

Electromotive Drives

- Head, back, seat, foot, total up/down
- Trendelenburg/Reverse Trendelenburg

Further technical details

- Chair has detachable, swiveling armrests made completely with PU foam
- All touchable metal parts are grounded
- Detachable seat for service friendly access to electric components

Max. Load 350 kg

Weight 145 kg

Subject to technical modifications.